



DI-1100

4-Channel USB Data Acquisition Starter Kit

User's Manual

Manual Revision C

Copyright © 2020 by DATAQ Instruments, Inc. The Information contained herein is the exclusive property of DATAQ Instruments, Inc., except as otherwise indicated and shall not be reproduced, transmitted, transcribed, stored in a retrieval system, or translated into any human or computer language, in any form or by any means, electronic, mechanical, magnetic, optical, chemical, manual, or otherwise without expressed written authorization from the company. The distribution of this material outside the company may occur only as authorized by the company in writing.

DATAQ Instruments' hardware and software products are not designed to be used in the diagnosis and treatment of humans, nor are they to be used as critical components in any life-support systems whose failure to perform can reasonably be expected to cause significant injury to humans.

DATAQ, the DATAQ logo, and WINDAQ are registered trademarks of DATAQ Instruments, Inc. All rights reserved.



DATAQ Instruments, Inc.
241 Springside Drive
Akron, Ohio 44333 U.S.A.
Telephone: 330-668-1444
Fax: 330-666-5434

Designed and manufactured in the
United States of America

Warranty and Service Policy

Product Warranty

DATAQ Instruments, Inc. warrants that this hardware will be free from defects in materials and workmanship under normal use and service for a period of 90 days from the date of shipment. DATAQ Instruments' obligations under this warranty shall not arise until the defective material is shipped freight prepaid to DATAQ Instruments. The only responsibility of DATAQ Instruments under this warranty is to repair or replace, at its discretion and on a free of charge basis, the defective material.

This warranty does not extend to products that have been repaired or altered by persons other than DATAQ Instruments employees, or products that have been subjected to misuse, neglect, improper installation, or accident.

DATAQ Instruments shall have no liability for incidental or consequential damages of any kind arising out of the sale, installation, or use of its products.

Service Policy

1. All products returned to DATAQ Instruments for service, regardless of warranty status, must be on a freight-prepaid basis.
2. DATAQ Instruments will repair or replace any defective product within 5 days of its receipt.
3. For in-warranty repairs, DATAQ Instruments will return repaired items to the buyer freight prepaid. Out of warranty repairs will be returned with freight prepaid and added to the service invoice.

Table of Contents

| | |
|---|------------|
| Warranty and Service Policy | iii |
| 1. Introduction | 1 |
| Features | 1 |
| Analog Inputs | 1 |
| Digital Inputs | 1 |
| Software | 1 |
| WinDaq Dashboard | 1 |
| WinDaq® Recording and Playback Software | 2 |
| Help | 2 |
| 2. Specifications | 3 |
| 3. Installation | 5 |
| Installing WinDaq Software | 5 |
| Connecting the Instrument to Your Computer | 6 |
| 4. Controls, Indicators, and Connections | 7 |
| Mini-B USB Connection | 7 |
| Connect Input Signals | 7 |
| DI-1100 Signal Connections | 7 |
| Connect Signal Leads | 8 |
| Analog Inputs | 8 |
| WinDaq Remote Controls (Digital Inputs) | 9 |
| WinDaq Remote Events | 10 |
| WinDaq Remote Storage (Record) | 12 |
| 4-20mA Current Loop Measurements | 12 |
| LED Indicators | 13 |
| 5. Dimensional Drawing | 15 |

1. Introduction

This manual contains information designed to familiarize you with the features and functions of the DI-1100 USB data acquisition starter kit. These high-end Starter kits contain features and functionality normally reserved for more expensive data acquisition systems.

Features

The **DI-1100** data acquisition instrument is a portable data recording module that communicates through your computer's USB port. Power is derived from the interface port so no external power is required. Features include:

- 4 fixed differential analog inputs protected to $\pm 100V$ (transient).
- Two dedicated digital I/O ports for Remote control protected to $\pm 30V$.
- $\pm 10V$ full scale measurement range.
- 12-bit analog-to-digital resolution.
- 20kHz to 40kHz max sample rate per channel (dependent on number of channels enabled).
- A push-button to tag remote events in WINDAQ software.
- Three status LEDs for easy notification of system status.
- Free WinDaq recording and playback software allowing you to record at the full speed of the instrument.
- Included .Net Class supports programming the DI-1100 under any .Net programming language.
- Fully documented instrument protocol for programming the device in operating systems other than Windows.

Analog Inputs

The **DI-1100** features four differential channel inputs located on a single sixteen-position screw terminal block for easy connection and operation (other terminals used for digital I/O or reserved). Note: The DI-1100 does not support Gain.

Utilize the functionality of WINDAQ software to experience all the features encased in these small, inexpensive instruments.

Digital Inputs

The DI-1100 contains two digital lines (bits) for WINDAQ remote control operations (Remote Start/Stop and Remote Events). Connect switch closures or discrete levels with a maximum input of 30V and a TTL level threshold. The inputs float at 1 level, about 3.3V relative to the “-” terminal, and require sinking about 50uA to bring them down to 0.8V and guarantee a 0. When no Options Remote are enabled in WINDAQ, the Event input appears inverted in data bit 0 and the Record input appears inverted in data bit 1 of data for the first enabled channel.

Software

All software required to record and playback waveforms is included with the purchase of any DI-1100 data acquisition starter kit via download.

WinDaq Dashboard

The WinDaq Dashboard utility allows you to start WinDaq software with your Dataq devices. Units available for synchronized recording using ChannelStretch™ are shown in compatible blocks of devices (the DI-1100 does not support ChannelStretch or stand-alone data logging).

WINDAQ[®] Recording and Playback Software

WINDAQ Acquisition and WINDAQ Waveform Browser allow you to record and playback data acquired through your instrument. WINDAQ software is an invaluable resource to record and analyze your data and is available for free from our web site (www.dataq.com).

WINDAQ Acquisition software can be used to record waveforms directly and continuously to disk while monitoring a real time display of the waveforms on-screen. It operates, displays, and records waveform signals in real time at the full sample rate of the DI-1100.

WINDAQ Waveform Browser playback software (also known as “WWB”) offers an easy way to review and analyze acquired waveforms. A built-in data file translator allows the user to display multiple waveforms acquired by WINDAQ Acquisition software or any of a wide range of data acquisition packages. The software’s disk-streaming design allows data files of any length to be graphically displayed rapidly, in normal or reverse time directions. Seven standard cursor-based measurements, frequency domain, and statistical analysis functions help simplify waveform analysis and interpretation. WINDAQ Waveform Browser is free and installed when installing WINDAQ Software.

Help

All WINDAQ software utilizes context-sensitive help. Help may be accessed through the Help menu or by pressing the F1 key with any pull-down menu item selected. This will take you directly to the Help topic most relevant to that particular function or feature. Help topics discuss in detail each function available in the software.

2. Specifications

Analog Inputs

| | |
|---|---|
| Number of Channels: | 4 |
| Channel Configuration: | Differential |
| Voltage Measurement Range: | $\pm 10\text{V}$ Full Scale fixed |
| Input Impedance: | $1\text{M}\Omega$ |
| Isolation: | none |
| Absolute accuracy: @ 25°C, excluding common mode error | $\pm 12.5\text{ mV}$ |
| Absolute maximum input without damage: | $\pm 75\text{ V}$ peak, continuous $\pm 100\text{ V}$ peak, one minute or less |
| System noise: | 7.8 mV rms |
| Maximum common mode voltage: | $\pm 10\text{ V}$ |
| Common mode rejection ratio: | 40 dB (dc - 60 Hz) |
| Channel-to-channel crosstalk rejection: | -80 dB |

Digital Inputs

| | |
|---------------------------------------|----------------------|
| Number of ports: | 2 (reserved) |
| Type: | MOSFET switch |
| Threshold levels: | TTL-compatible |
| Absolute maximum applied voltage (V): | $\pm 30\text{ V}$ dc |

Reserved Inputs (Digital Inputs)

| | |
|---------------|--------------------------|
| Digital In 0: | WINDAQ remote events |
| Digital In 1: | WINDAQ remote start/stop |

ADC Characteristics

| | |
|----------------------------------|---|
| Resolution: | 12-bit Above zero ADC counts: 2,047 Below zero ADC counts: 2,048 |
| Maximum sample rate per channel: | 40 kHz, 1 enabled channel 30 kHz, 2 enabled channels 24 kHz, 3 enabled channels 20 kHz, 4 enabled channels |
| Min. sample throughput rate: | 915.5 Hz (0.0006104 Hz with WinDaq software) |
| Sample rate timing accuracy: | 50 ppm |

Indicators and Connections

| | |
|-------------------|----------------------------------|
| Interface: | USB 2.0 (mini-B style connector) |
| Indicators (LED): | 3 LEDs, (2) Green, (1) RGB |

Input Connections: One 16-position terminal strip

Power

Power Consumption: <1.0 Watt, via USB interface

Environmental

Operating Temperature: 0°C to 50°C (32°F to 122°F)

Operating Humidity: 0 to 90% non-condensing

Storage Temperature: -20°C to 60°C (-4°F to 140°F)

Storage Humidity: 0 to 90% non-condensing

Physical Characteristics

Enclosure: Hardened Plastic

Mounting: Desktop; bulkhead

Dimensions: 2.625D × 5.5W × 1.53H in.
(6.67D × 13.97W × 3.89H cm.)

Weight: 3.6 oz.

Software Support

WINDAQ software: OS support: [Check Online at https://www.dataq.com/products/windaq/windows-compatibility/](https://www.dataq.com/products/windaq/windows-compatibility/)

Programming: DATAQ .NET Class, Instrument protocol, ActiveX Control

3. Installation

The following items are included with each WINDAQ Starter Kit. Verify that you have the following:

- A DI-1100 USB data acquisition instrument.
- USB cable.
- A DATAQ Instruments screwdriver for signal lead connections.

If an item is missing or damaged, call DATAQ Instruments at 330-668-1444. We will guide you through the appropriate steps for replacing missing or damaged items. Save the original packing material in the unlikely event that your unit must, for any reason, be sent back to DATAQ Instruments.

Installing WINDAQ Software

All software for the DI-1100 can be installed via a downloadable executable directly from the DATAQ Instruments web site. No CD is shipped with the device. You may burn the executable onto a CD or flash drive to transport the software to a computer with no internet connection.

1. Disconnect all DATAQ Instruments USB devices from your Computer.



2. Download software at run.dataq.com.
3. Save the executable (Dataq Software Suite Web Setup.exe) to your local hard drive.
4. Double-click on the executable to extract the program and begin software installation.
5. Follow the on-screen prompts and enter all required information.
6. Software installation is complete - you will now see a "Successful Installation" box - click **OK** to exit WINDAQ Installation.

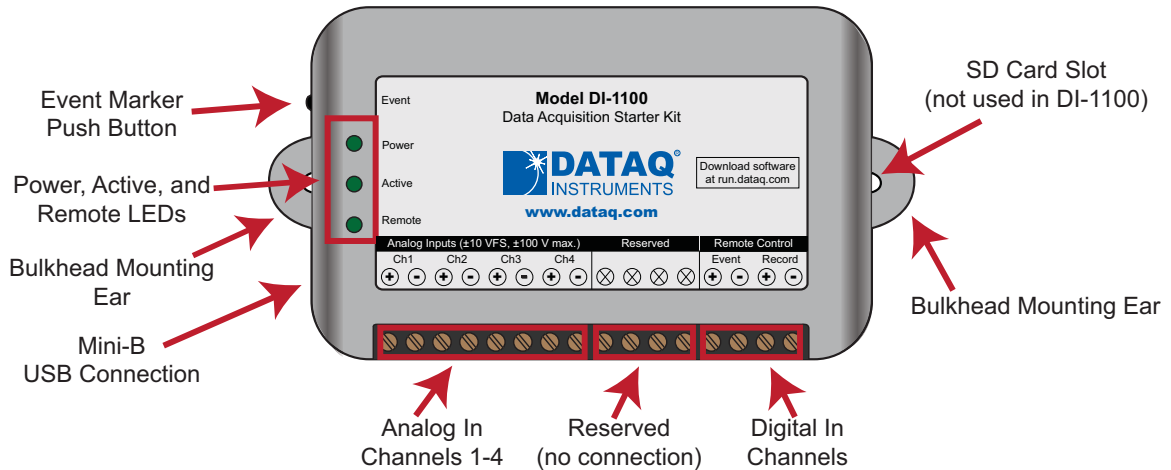
You can now plug the device(s) into your PC. Click on the “WinDaq Dashboard” shortcut to access WINDAQ software.

Connecting the Instrument to Your Computer

DI-1100 instruments can be connected to your computer’s USB port using the provided USB cable. No external power is required. Connect one end of the communications cable to the instrument port and the other to your PC’s port. Only one device may be connected at a time when using WinDaq.

***Note:** Use a powered USB hub or a USB port on your PC. Non-powered USB hubs may not have sufficient power to run the instrument.*

4. Controls, Indicators, and Connections



Please note: The SD card slot is not used in the DI-1100. Allowing foreign materials to enter the device through the SD card slot may result in damage to the instrument.

Mini-B USB Connection

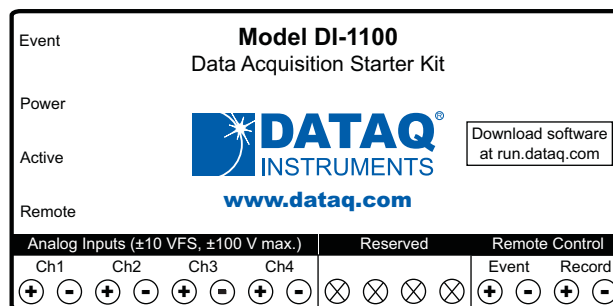
Use the supplied USB cable to connect and power the instrument through your computer's USB port.

Connect Input Signals

Make input signal connections to the 16-port screw terminals. Each terminal is labeled directly on the instrument case.

DI-1100 Signal Connections

Refer to the following for screw terminal port identification.



Ch#: Analog channels 1-4 (± 10 VFS, ± 100 V transient Max.)

Remote Control Event: Digital Input bit 0—Remote Event Marker

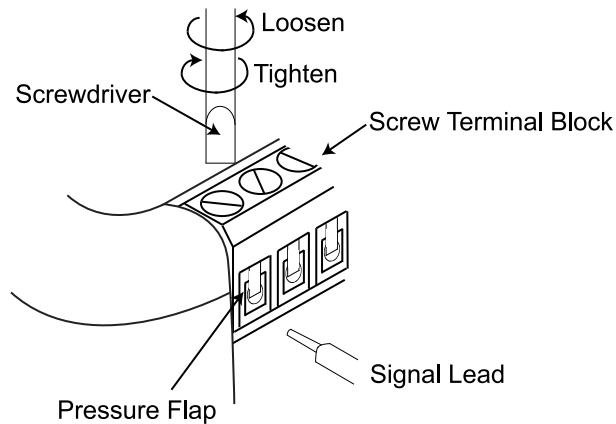
Remote Control Record: Digital Input bit 1—Remote Start/Stop

Reserved NC: No connection—reserved.

Connect Signal Leads

Connect signal leads to the DI-1100:

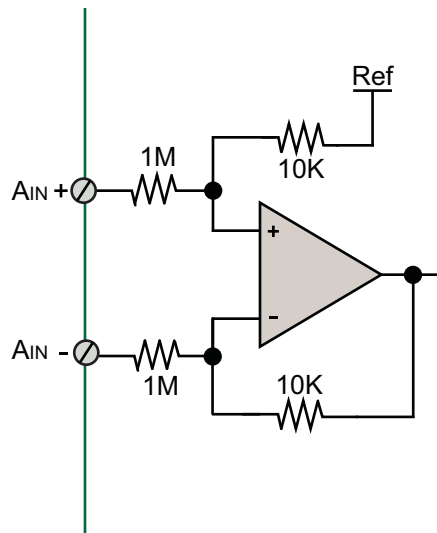
1. Insert the stripped end of a signal lead into the desired terminal directly under the screw.
2. Tighten the pressure flap by rotating the screw clockwise with a small screwdriver. Make sure that the pressure flap tightens only against the signal wire and not the wire insulation. Do not over-tighten.
3. Tug gently on the signal lead to ensure that it is firmly secured.



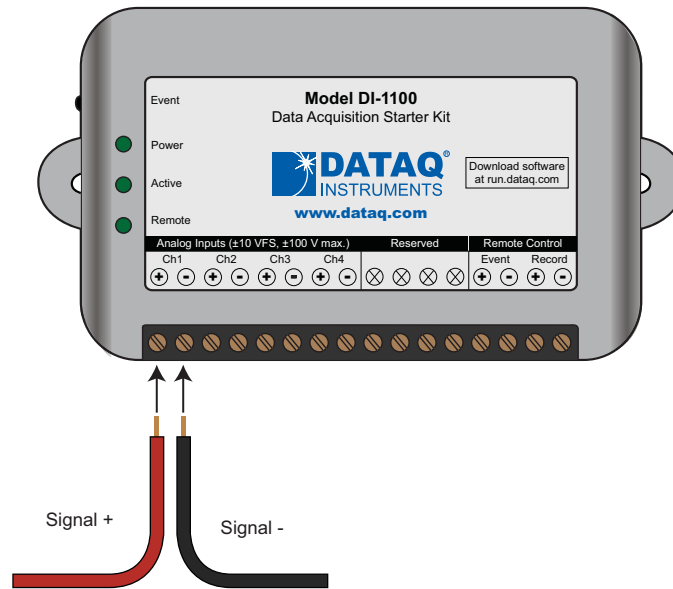
When an input signal is connected and WINDAQ Acquisition software is run, WINDAQ's real time display immediately reveals the input waveform on your computer's monitor.

Analog Inputs

Four differential analog inputs measure ± 10 Volts. Designed to withstand ± 100 V.

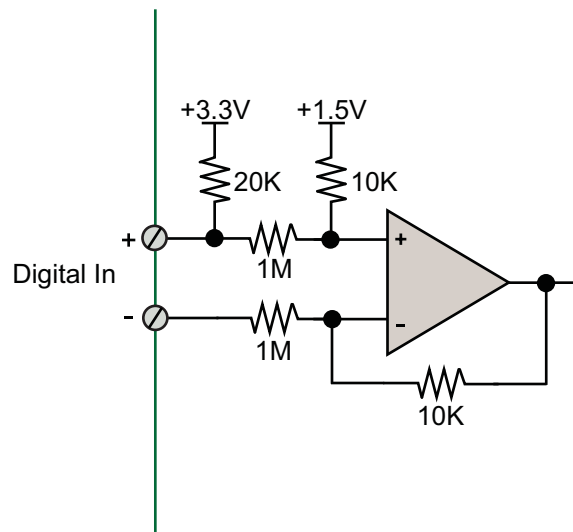


Use the following diagram to connect Analog Input Channel 1.

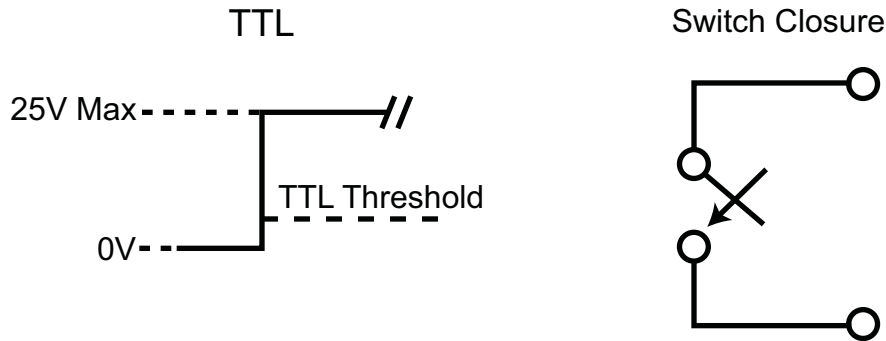


WINDAQ Remote Controls (Digital Inputs)

The DI-1100 contains 2 digital inputs designated for WINDAQ Remote Events (inserts an Event Marker) and Remote Storage (Record data).

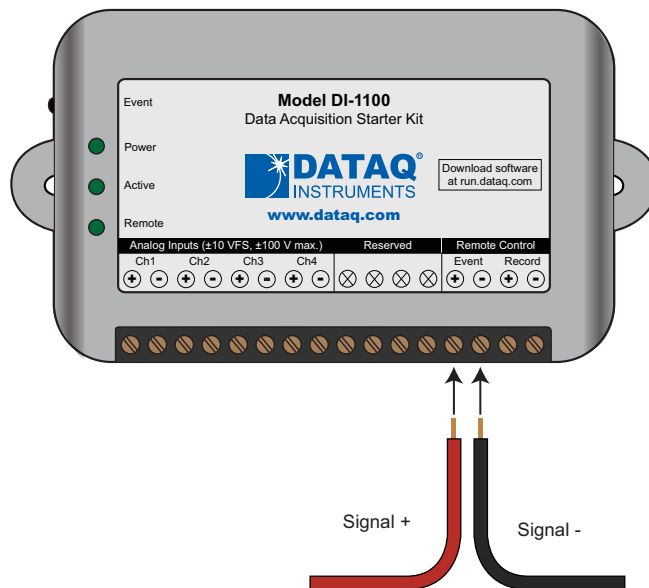


Valid remote record and event signals are switch closures or discrete levels with a maximum input of 30 V and a TTL level threshold.



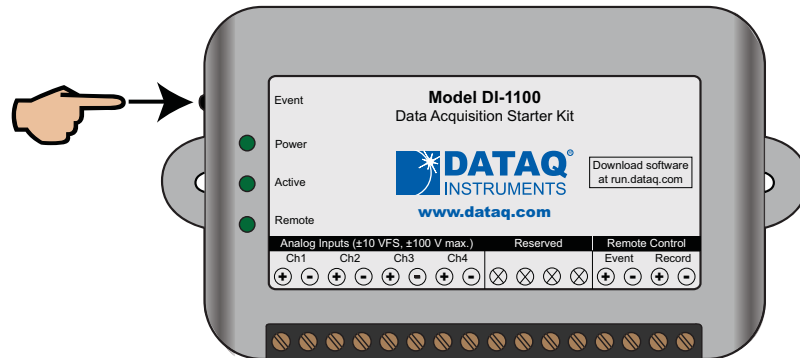
WINDAQ Remote Events

To use a switch closure or TTL signal to record WINDAQ Event Markers, connect signal leads to the appropriate Remote Control Event terminals on the DI-1100 as shown below.



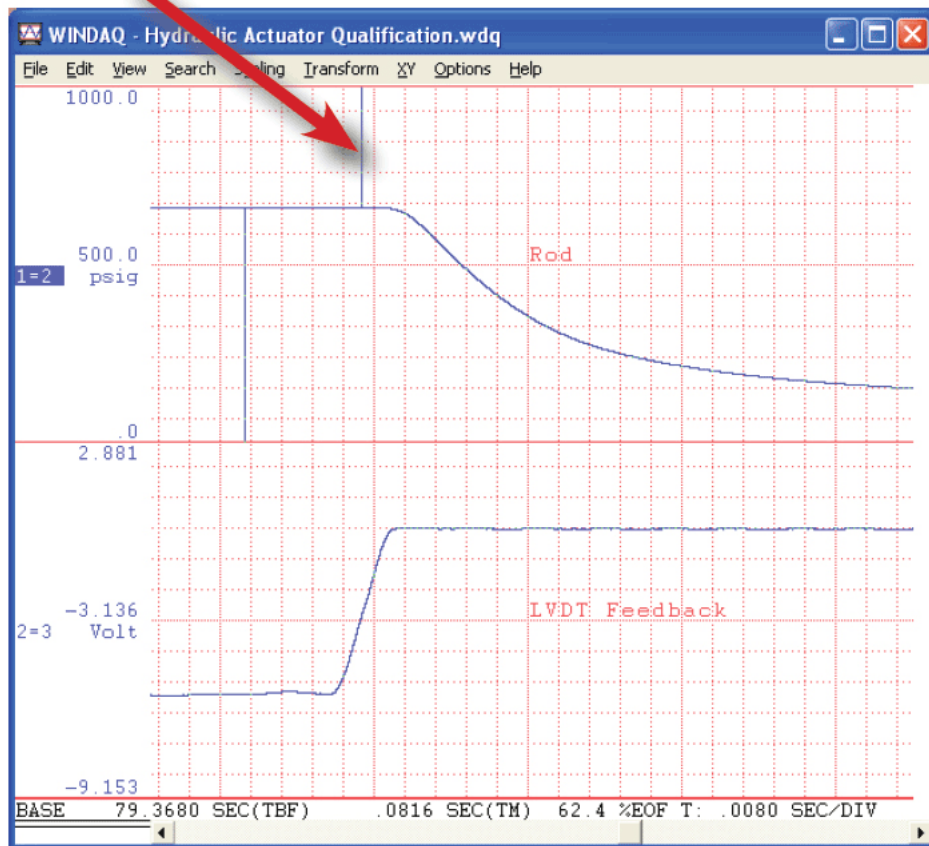
Once the switch closure or TTL signal is connected, activate Remote Events through WINDAQ Acquisition Software. Events may be automatically placed on the rising or falling edge of the trigger signal. Use the menu command **Options > Remote Events +** to set WINDAQ to place event markers on low-to-high transitions of the Event input. Use the menu command **Options > Remote Events -** to set WINDAQ to place event markers on high-to-low transitions of the Event input.

Event markers may also be placed in your data file manually by pressing the push button on the DI-1100 Instrument. You must enable Remote Events in WINDAQ to use the button (use the menu command **Options > Remote Events +or Options > Remote Events -**).



An example event marker in a WINDAQ data file is shown below.

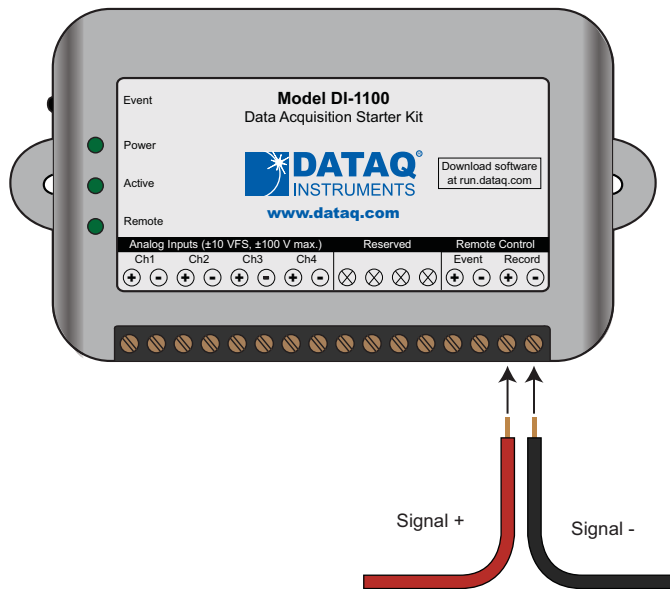
Event Marker*



***Please Note:** Event Markers do not display in the real-time WINDAQ acquisition software - they only display in the WINDAQ playback software (WWB).

WINDAQ Remote Storage (Record)

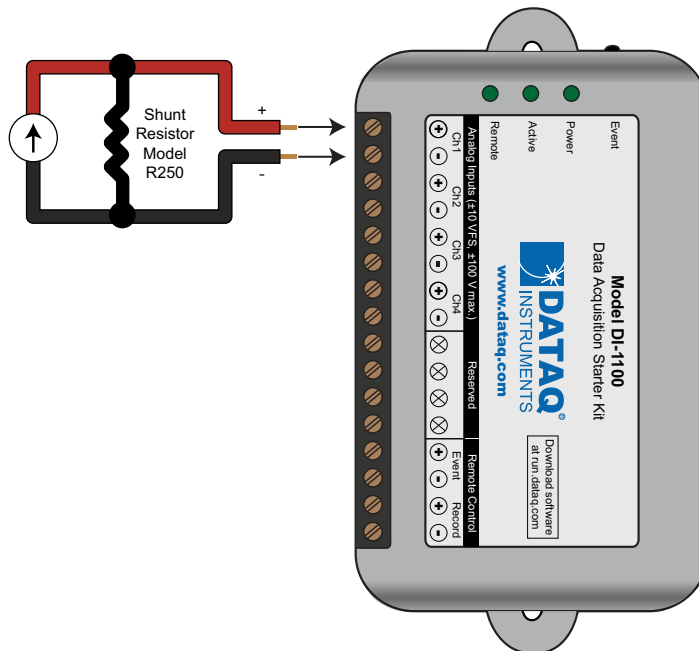
To use a switch closure or TTL signal to begin recording data remotely, connect signal leads to the appropriate Remote Control Record terminals on the DI-1100 as shown below.



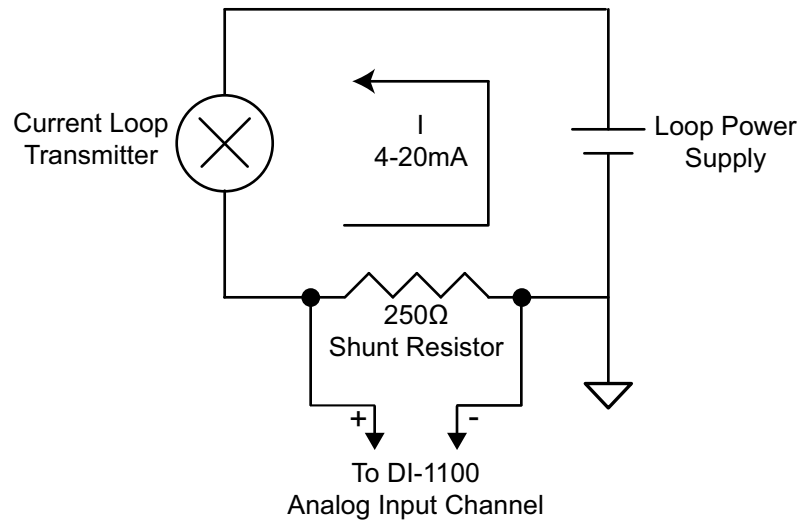
Once the switch closure or TTL signal is connected, activate Remote Storage (Record) through WINDAQ Acquisition Software. Storage to Disk may be automatically placed on the rising or falling edge of the trigger signal. Use the menu command **Options > Remote Storage 1** to set WINDAQ to begin recording on low-to-high transitions of the Record input. Use the menu command **Options > Remote Storage 0** to set WINDAQ to begin recording on high-to-low transitions of the Record input.

4-20mA Current Loop Measurements

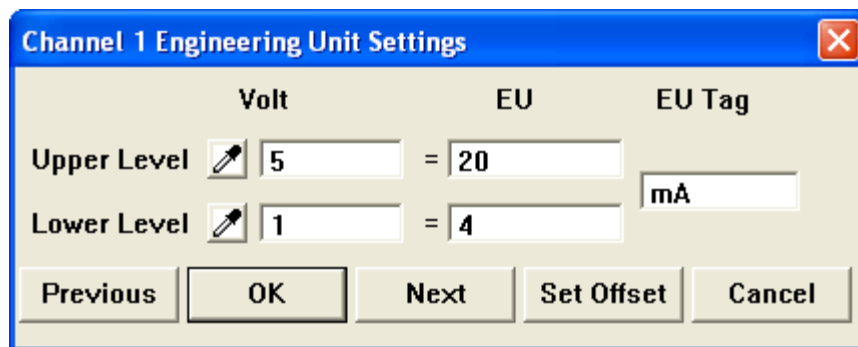
Use the following diagram for 4-20mA current loop measurement connections.



The shunt resistor should be placed on the low side of the circuit as shown below:



Set the engineering units as desired and define upper/lower levels in WINDAQ as 1V = 4mA for the low value and 5V = 20mA for the high value. For example, when using WINDAQ Acquisition software, in the EU Settings dialog box:



Enter the following values:

| | Volt | EU | EU Tag |
|-------------|------|----|--------|
| Upper Level | 5 | 20 | mA |
| Lower Level | 1 | 4 | |

You can also associate these values to a physical measurement such as pressure, load, flow, torque, etc. Read the Help files for more information regarding Engineering Units Settings.

LED Indicators

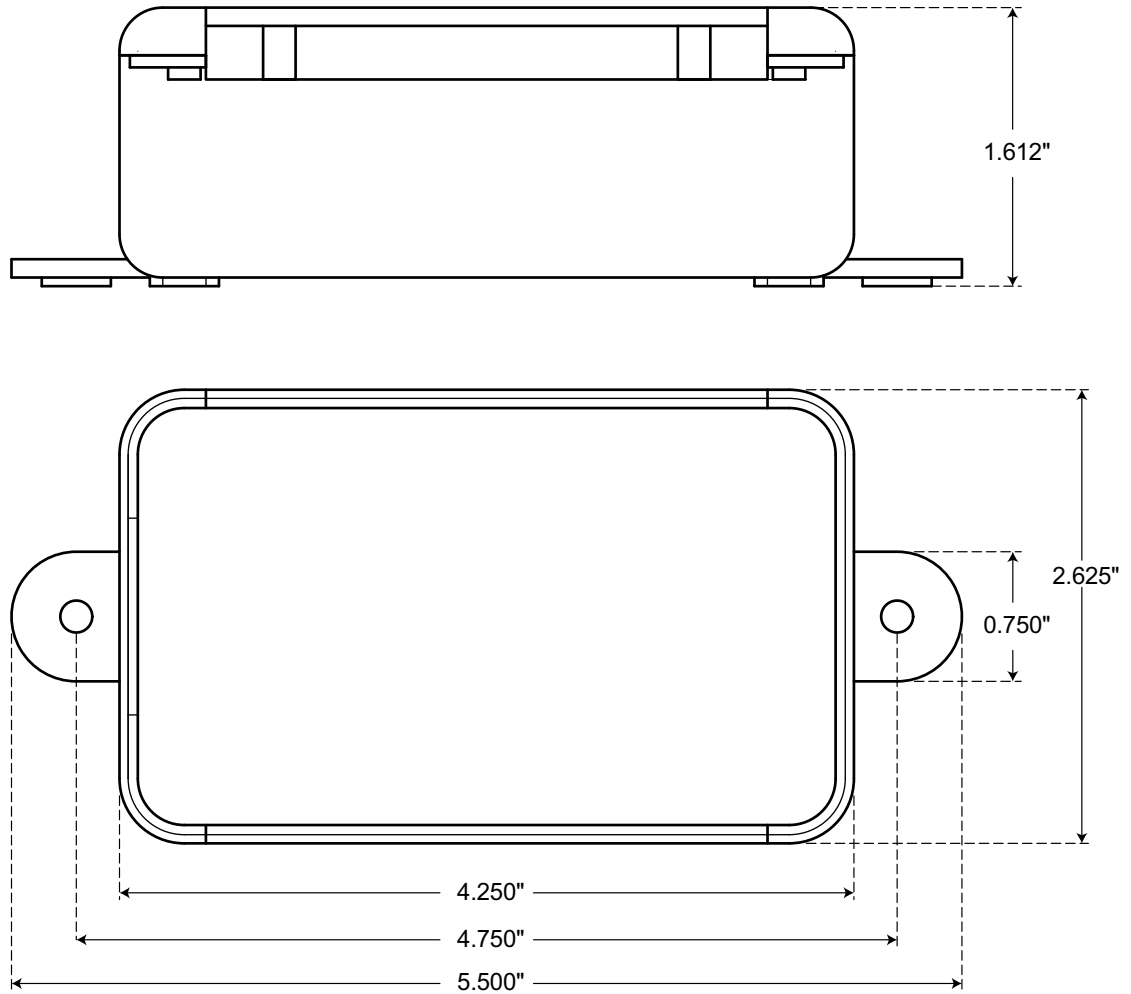
The DI-1100 provides three LEDs for instrument status and notification.

Power: Green LED indicates power is applied via the USB cable.

Active: Indicates the device is in use either by WINDAQ Acquisition Software or a custom user-developed program.

Remote: Green LED indicates when the Event Button is pushed or the Event terminals are connected via a relay contact or digital input.

5. Dimensional Drawing





DATAQ Instruments, Inc.
241 Springside Drive
Akron, Ohio 44333
Telephone: 330-668-1444
Fax: 330-666-5434
E-mail: support@dataq.com

Direct Product Links
(click on text to jump to page)
Data Acquisition | Data Logger